

TECHNITRACE INC.

T-SLK-LED SIGNAL LIGHT KIT

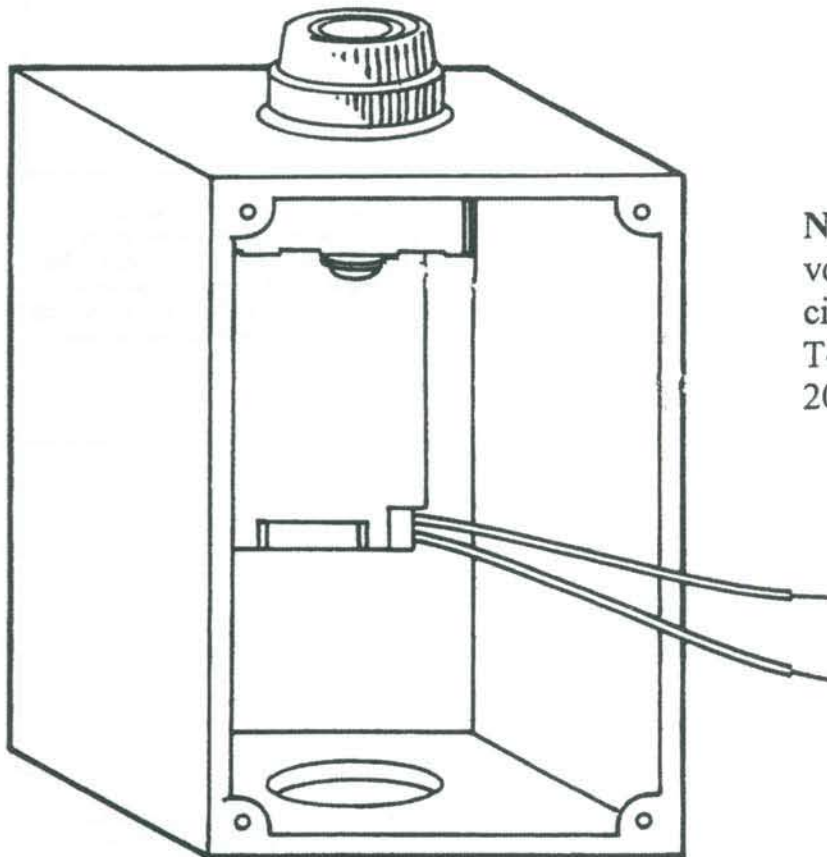
ORDERING INFORMATION

T-SLK-LED-

AC Voltage
120
208/240
277

DESCRIPTION

The T-SLK-LED Light Kit is designed for use in ordinary areas only. This product provides excellent resistance to ultra violet rays from the sun, as well as inorganic chemicals and most corrosives. The kit uses an LED light for exceptionally long service life.



NOTE: Check to make sure the voltage powering the heat trace circuit matches the model of the T-SLK-LED kit. (120 vac, 208/240 vac, 277 vac).