

TECHNITRACE INC.

TPT-PC & TPT-PC-J Power Connection Kit for Pipes

Kit Contents

- 1 Base
- 1 Top
- 1 Sealing Grommet
- 1 Sealing Gasket
- 1 Lock Ring
- 1 Adaptor (for installation on pipe smaller than 1")
- 1 Stainless Steel Tie Wire

Description

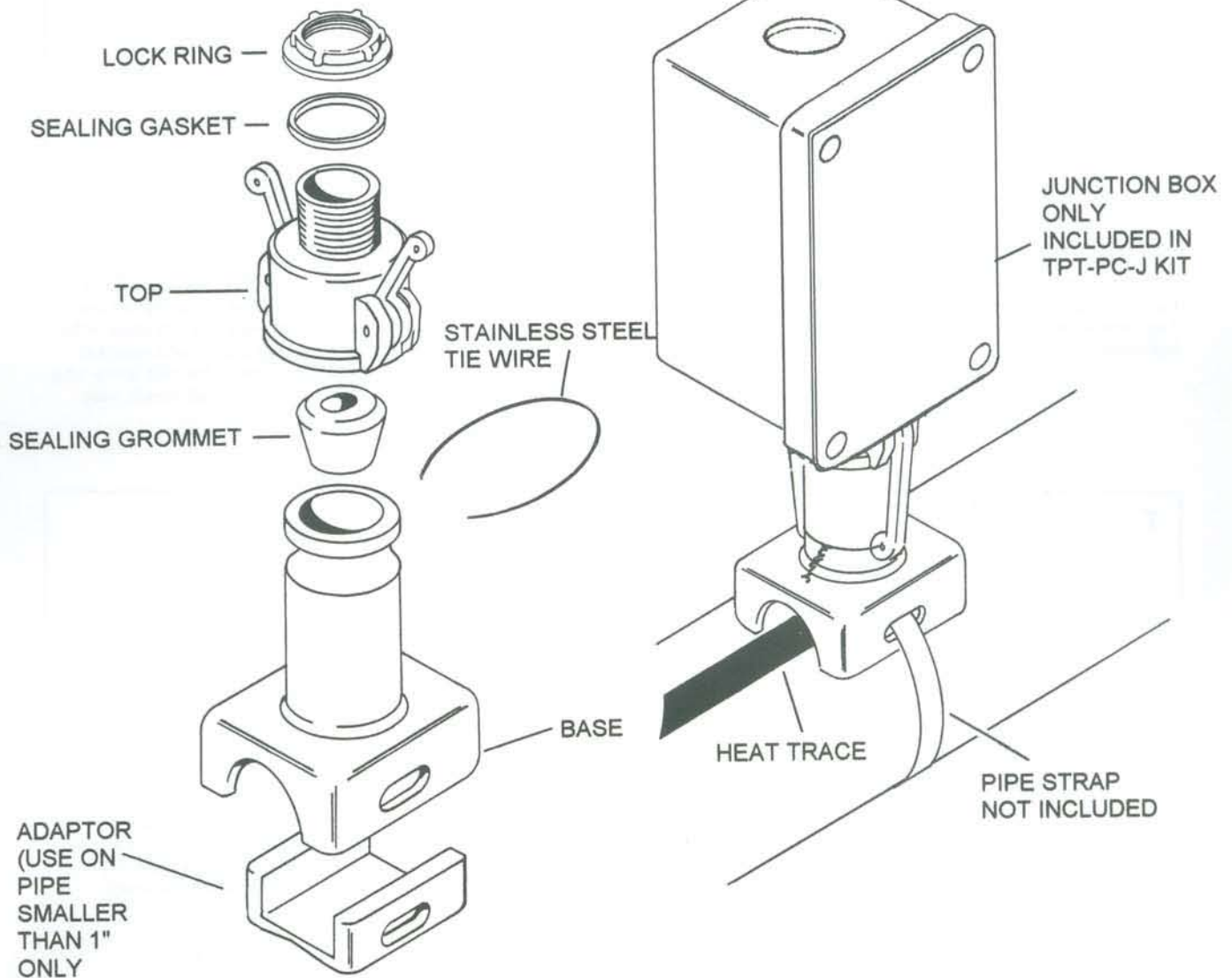
The TPT-PC & TPT-PC-J Power Connection Kits are Factory Mutual Approved for use in ordinary and Division 2 areas with Technitrace heaters approved for those locations.

This kit provides excellent resistance to ultra violet rays from the sun, as well as inorganic chemicals and most corrosives. Use with Technitrace FP and PM series heaters.

Hazardous Areas



- Class I, Div. 2, Groups B, C, D
- Class II, Div. 2, Groups F, G
- Class III, Div. 1 and 2



The material contained in this document is presented in good faith and believed to be reliable and accurate. Because testing conditions may vary and material quality of information that may be provided in whole or in part by others may be beyond our control, no warranty, expressed or implied, is given and Technitrace can assume no liability for results obtained or damages incurred through the application of the data and test presented.